

62-424 Compression Latch

Lift & Turn

Features

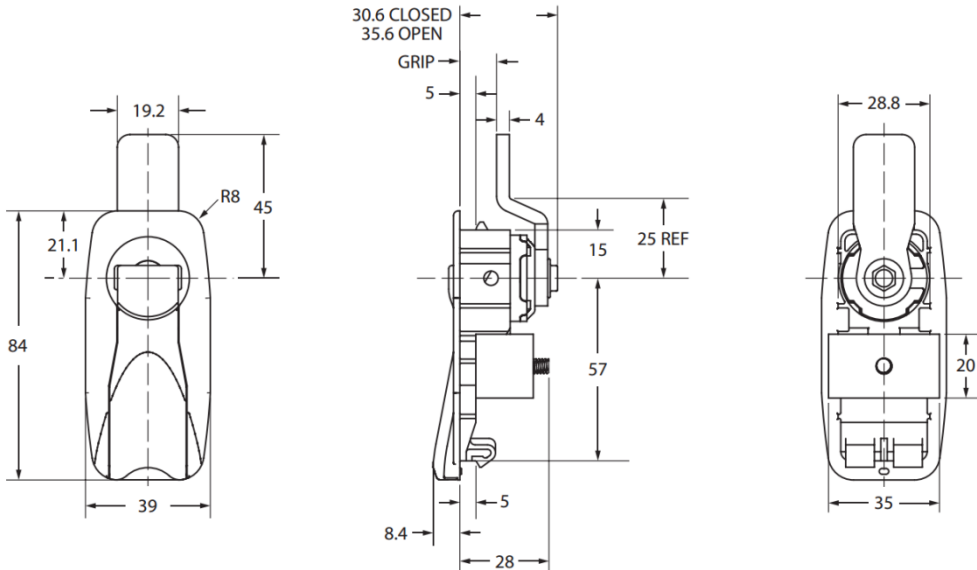
- Double action latching & compression allows secure fastening of doors and panels which contain gaskets and seals
- No adjustments required when fitted, fixed cam design prevents incorrect grip setting
- Latch can be fitted to panel range 0.5 mm - 9.0 mm and has a grip range of between 10.5 mm - 49.4 mm
- 4 cam orientation settings (90° / 180° / 270° / 360°), allowing for a wide variety of mounting positions
- Robust polyamide construction: High strength nylon is used in the main components
- The material has a V2 flammability rating to UL94

Material

- Nylon

Notes

- Panel hole dimensions: 73 mm x 30 mm for panel thickness 0.5 mm to 5.0 mm; 75 mm x 30 mm for panel thickness 5.1 mm to 9.0 mm
- Latch (below) shown in closed position
- Latch and cam sold separately



Latch Body

Part Number	62-424-700
-------------	------------

Cam

Grip Range (mm)	Cam Offset (mm)	Cam Part Number
10.5 to 12.4	-14	E5-6003
12.5 to 14.4	-12	E5-6004
14.5 to 16.4	-10	E5-6005
16.5 to 19.4	-8	E5-6006
20.5 to 21.4	-4	E5-6008
21.5 to 23.4	-2	E5-6009
23.5 to 25.4	Flat	E5-6010
25.5 to 27.4	2	E5-6011
27.5 to 29.4	4	E5-6012
29.5 to 30.4	6	E5-6013
31.5 to 33.4	8	E5-6014
33.5 to 35.4	10	E5-6015
35.5 to 37.4	12	E5-6016
37.5 to 39.4	14	E5-6017
39.5 to 40.4	16	E5-6018
41.5 to 43.4	18	E5-6019
43.5 to 45.4	20	E5-6020
45.5 to 47.4	22	E5-6021
47.5 to 49.4	24	E5-6022

southco[®]

We are proud to be Southco's
authorized distributor of over 20 years